



**A-RXMON**  
**Headphone Monitor for A10-RX**  
**— User Guide —**



## Copyright / Doc Rev History Info

Copyright © 2018 Audio Ltd. All rights reserved. | [www.audioltd.com](http://www.audioltd.com)  
 7 Century Court, Tolpits Lane, Watford WD18 9RS, UK | [info@audioltd.com](mailto:info@audioltd.com)

Revision	Date	Description
1A	Dec 2018	Initial Publication

## Table of Contents

Copyright / Doc Rev History Info . . . . .	2	Firmware Updates . . . . .	5
Table of Contents . . . . .	2	Certifications . . . . .	6
Overview . . . . .	3	Industry Canada Conformity . . . . .	6
Key Features . . . . .	3	FCC Conformity . . . . .	6
System Quickstart . . . . .	3	Declaration of Conformity . . . . .	6
Connectors, Controls Description . . . . .	4	Minimize RF Exposure . . . . .	6

## Overview

The A-RXMON is a belt-worn A10 Receiver enclosure. The A-RXMON provides a simple, portable solution for the user to easily monitor two A10-TX audio channels with headphones.

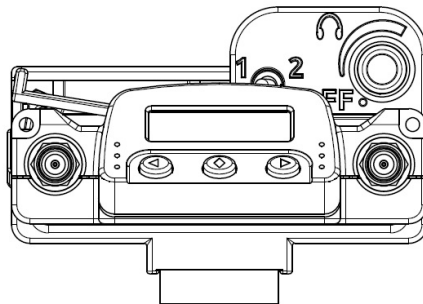
### Key Features

- Accommodates the A10-RX receiver (sold separately)
- Uses standard Sony L-mount batteries (sold separately)
- Heavy-duty 3.5 mm headphone jack
- User-friendly headphone volume control/power switch
- Monitor channel 1, channel 2 or both channels simultaneously
- Combined with the User Groups feature for the A10-RX, the A-RXMON provides fast, easy and intuitive switching by name between multiple A10-TX frequencies
- Rugged, spring steel belt clip
- Micro USB port for updating firmware and loading User Groups on the A-RXMON

## System Quickstart

### Installation:

1. Remove any A-SL or A-XLR connected to the A10-RX. Orient the A10-RX in the slot according to the image below.



*Figure 2: A-RXMON Front Panel*

2. Carefully slide the A10-RX into the slot. Press until you feel the connector seat fully and the receiver is flush to the face of the A-RXMON.
3. Using the included 4 M2.5x16 mm screws, attach the A10-RX to the A-RXMON via the holes in the bottom of the unit.

### Powering:

1. Insert a fully-charged Sony L-Mount compatible battery into the battery slot. The battery retainer clip will spring into place to secure the battery.
2. If retracted, push the headphone volume/power control, and then turn it clockwise past the detent to power on the receiver.

### Operation:

1. On the A10-RX, navigate to Menu > Outputs > Mode, and set to Analogue.
2. Connect headphones. For optimal operation, navigate to Menu > Outputs > Max level and set the output to +14 dBu.
3. Flip Channel Selector switch according to which channel(s) you want to monitor.

The system is now ready for use.

## Connectors, Controls Description

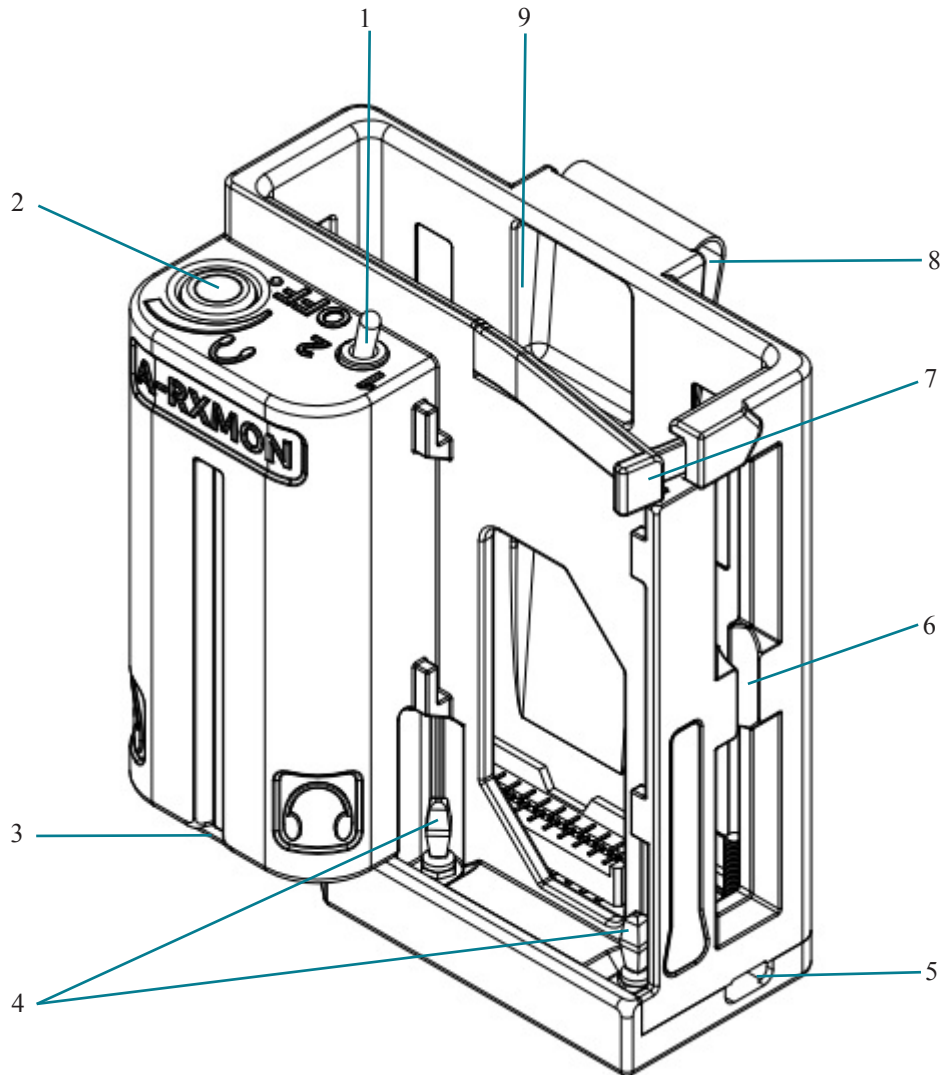


Figure 2: A-RXMON Front Panel

### 1 -Channel Selector Switch

3-way selection of A10-RX channels:

Position	Description
1	Flip left to monitor channel 1 in both right and left headphone channels.
2	Flip right to monitor channel 2 in both right and left headphone channels.
Center	When switch is centered, both 1 and 2 are audible in headphones (channel 1 in left, channel 2 in right).

### 2 -Headphone Volume / Power

Dual-purpose, retractable control for both system power and headphone volume.

### 3 -Headphone Output

A 3.5 mm TRS headphone jack, compatible with mono or stereo headphones from 8-600 ohms impedance.

### 4 -Battery Mount

L-mount for a dual-terminal, Lithium-ion battery.

### 5 -USB-B Port

Used for updating firmware and loading User Groups on the A10-RX.

### 6 -Cord Notch

Holds headphone cord in place along either side of device.

### 7 - Retainer Clip

Secures battery in place. Press in to release and remove battery from the device.

### 8 -Belt Clip

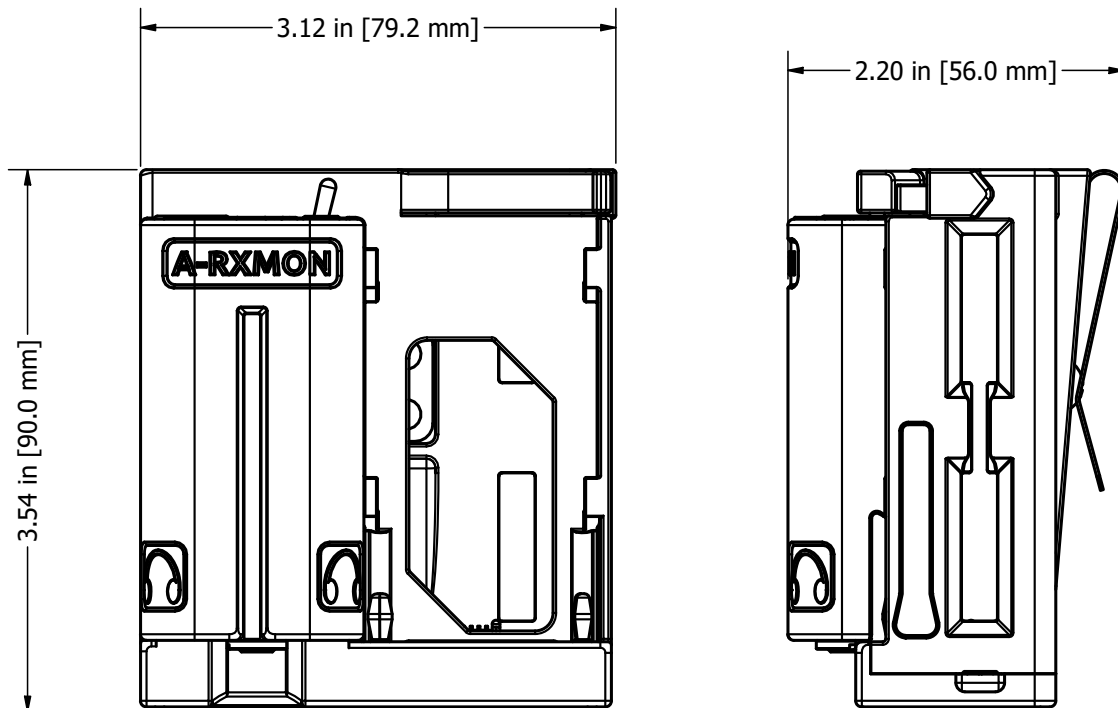
Attaches device to belt, strap, or waistband.

### 9 -Receiver Slot

Accepts one Audio Limited A10-RX.

## Specifications

Material	30% fiberglass-filled nylon
Weight	4.6 oz / 130.4 g
Operating Voltage	6 - 8.4 VDC
Headphone Out	3.5 mm TRS headphone jack, compatible with mono or stereo headphones of any impedance Frequency response 20 Hz - 20 kHz +/- 1dB referenced to 1 kHz
Audio Gain Control	8-600 ohms impedance
Powering	1 Sony L-type Li-ion battery
Battery Run Time	2200mAHr Runtime ~3Hr 15Min 4400mAHr Runtime ~7Hr 30Min



## Firmware Updates

From time to time, Audio Ltd. issues new firmware for the A10-RX receiver, which may be updated while it is installed into an A-RXMON. Make certain to register your product at the Audio Ltd. website to receive firmware update notifications.

**Prior to updating an A10-RX receiver in an A-RXMON, ensure the following:**

- The receiver is properly slotted into the A-RXMON, the A-RXMON is connected from the USB-B port on the side panel to a USB-A port on the computer, and that it is powered ON.
- Download and install the latest version of the Mic2Wav utility from Audio Limited's website at: <https://audioltd.com/resources/mic2wav/>
- Download the new firmware update file (PRG) from the Audio Limited's website, specifically the Resources > Firmware Downloads webpage.

↳ *A Change List of new features for the latest firmware can also be found on this webpage.*

**To update A10-RX firmware via A-RXMON:**

1. Start the Mic2Wav utility application.
2. Click File > Update RX and then select the firmware update file (PRG) previously downloaded to your computer from the Audio Limited website.
3. After a momentary refresh, Mic2Wav will detect the A10-RX receiver in the A-RXMON and display the Serial Number as well as current Firmware Version. Mic2Wav will detect if the receiver is running an older version of Firmware and will automatically select it to be updated. Click Update.
4. Click OK to confirm, if prompted. A status bar will indicate the progress of the update.

↳ *As the receiver is updated, its screen will display Programming and the LEDs will turn off. This is normal operation. After the update, the receiver's menu will be available again.*

An Update Complete popup appears after the receiver has been updated.

## Certifications

### Industry Canada Conformity

This radio transmitter has been approved by Industry Canada to operate with the supplied monopole whip antenna only. Other antenna types are strictly prohibited for use with this device.

This device operates on a no-protection no-interference basis. Should the user seek to obtain protection from other radio services operating in the same TV bands, a radio license is required. Please consult Industry Canada's document CPC-2-1-28, 'Optional Licencing for Low-Power Radio Apparatus in the TV Bands', for details.

EN: This device complies with Industry Canada's license exempt RSSs. Operation is subject to the following two conditions: (1) this device may not cause interference, and (2) this device must accept any interference, including interference that may cause undesired operation of the device.

FR :Le présent appareil est conforme aux CNR d'Industrie Canada applicables aux appareils radio exempts de licence. L'exploitation est autorisée aux deux conditions suivantes: (1) l'appareil ne doit pas produire de brouillage, et (2) l'utilisateur de l'appareil doit accepter tout brouillage radioélectrique subi, même si le brouillage est susceptible d'en compromettre le fonctionnement.

### FCC Conformity

The A10-RX receiver complies with the following requirements:

FCC (Federal Communications Commission) Part 15

Operation is subject to the following two conditions:

- (1) This device may not cause harmful interference, and
- (2) This device must accept any interference received, including interference that may cause undesired operation.

## Declaration of Conformity

The Declaration of Conformity documentation is provide online at: <http://audioltd.com/doc/>.

Before putting the products into operation, please observe the respective country-specific regulations.

### Minimize RF Exposure

To avoid the possibility of exceeding the FCC RF exposure limits, body-worn operations are restricted to belt-clips, holsters or similar accessories that have no metallic component in the assembly and which provide at least 7mm separations between the device and the user's body.